

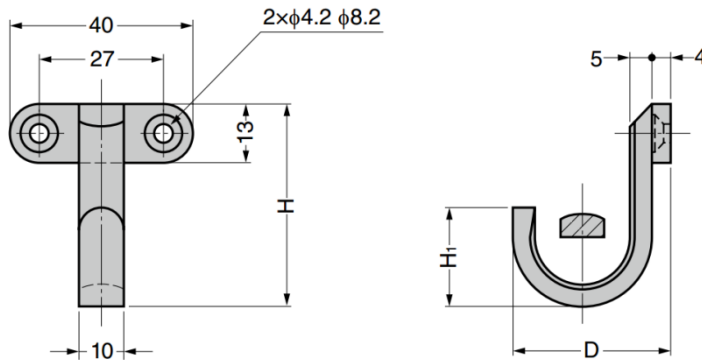
GKB-H Stainless Steel Hook

Material

- Stainless steel 303, polished

Parts Included

- Raised countersunk head tapping screw 4×20 (SUS)



Part No.	D	H	H ₁	Load Capacity	
GKB-H-35	35	45	22	340 N	35 kg
GKB-H-40	40	50	25	280 N	29 kg

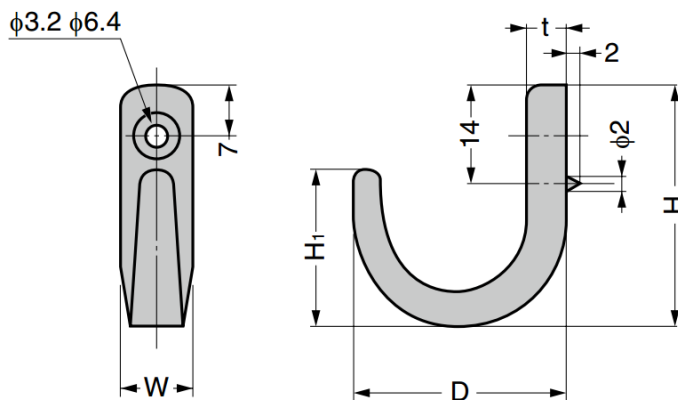
GTA3 Stainless Steel Hook

Material

- Stainless steel 304, polished

Parts Included

- Raised countersunk head wood screw 3.1×16 (SUS)



Part No.	D	W	H	H ₁	t	Load Capacity	
GTA3S	22	9	29	16	4	180 N	18 kg
GTA3L	30	10	34	22	5.5		